

GARAGE DOOR OPERATOR

COMFORT 600 / 800 / 1000



- » Low energy consumption
- » New appearance design
- » Electronic limit switches
- » Auto safety reverse
- » Auto light delay
- » Belt drive, low noise
- » Manual release in case of power failure
- » Soft start, soft stop
- » Pass door closure function
- » Rolling code
- » Infrared sensor (optional)
- » Flash light (optional)
- » Backup battery function (optional)
- » Wall switch (optional)

COMFORT 600

COMFORT 800

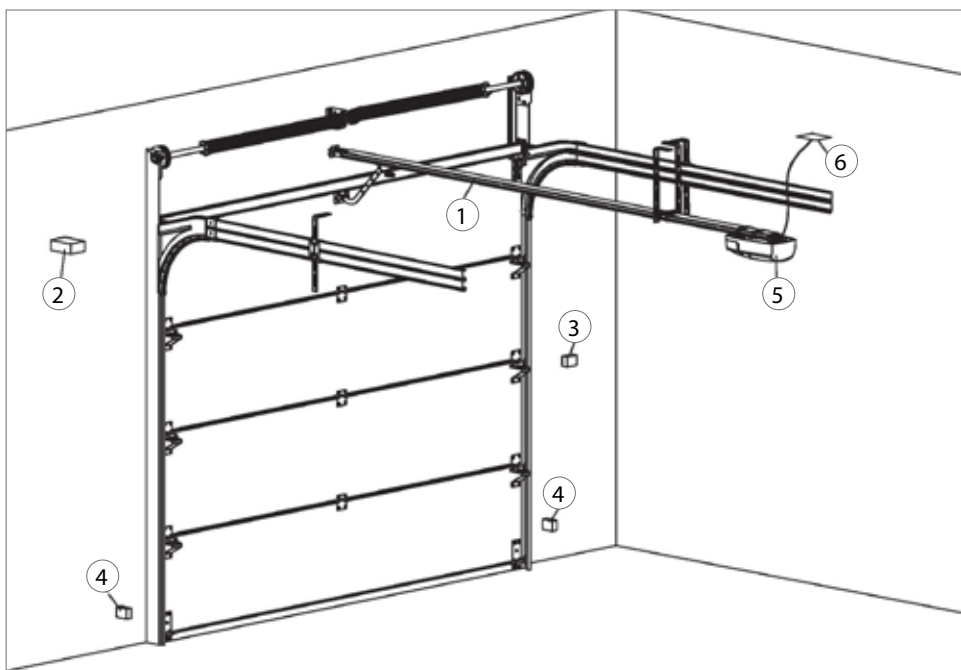
COMFORT 1000





2 transmitters included

	COMFORT 600	COMFORT 800	COMFORT 1000
Power Input:	200 W	235 W	245 W
Input Voltage	220 – 240 V AC, 50Hz		
Light time:	3 minutes		
Working temperature:	-20° ~ 40°C		
Relative Humidity:	<90%		
Max. force:	600 N	800 N	1000 N
Opening speed	13cm/s		
Rated load:	300 N	350 N	400 N
Reception frequency:	433.92 MHz or according to customer's requirement		
Decoding:	Rolling code		
Remoter power:	12V Battery		
Low energy consumption in standby mode	0,56W/h		



- 1) Garage door opener rail
- 2) 24V DC flashing light (optional)
- 3) Push button
- 4) Photo beam (RX/TX Type)
- 5) Garage door opener
- 6) Power socket

Max door height	Operator fitting depth
2,30 m	3,25 m
2,65 m	3,60 m
3,05 m	4,00 m

ACCESSORIES



Wireless key code pad



Wireless wall switch



Transmitter holder



Infrared photo cells



